

180° Spray Nozzle Adapter

309853B

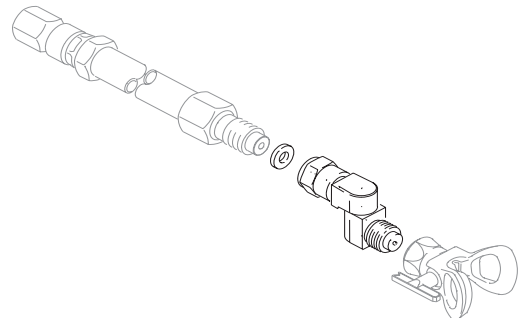
Part No. 246297

7250 psi (50 MPa, 500 bar)

For use on any Graco high pressure gun or extension and with RAC® HD DripLess™ Tip Guard or a Standard flat tip guard.



Read warnings and instructions in your gun manual.



TI3437B

WARNING



To reduce risk of fluid injection, which can result in serious injury, including amputation:

- Relieve system pressure as instructed in your pump or sprayer manual before installing, removing, or adjusting nozzle adapter or spray tips. A general **Pressure Relief Procedure** is included at right for reference.
- Stop using nozzle immediately if it starts to leak or cannot be turned easily. The adapter is not repairable.

CAUTION

To avoid damaging o-ring in the swivel:

- Relieve fluid pressure before rotating swivel.
- Do not soak the entire swivel in solvent.

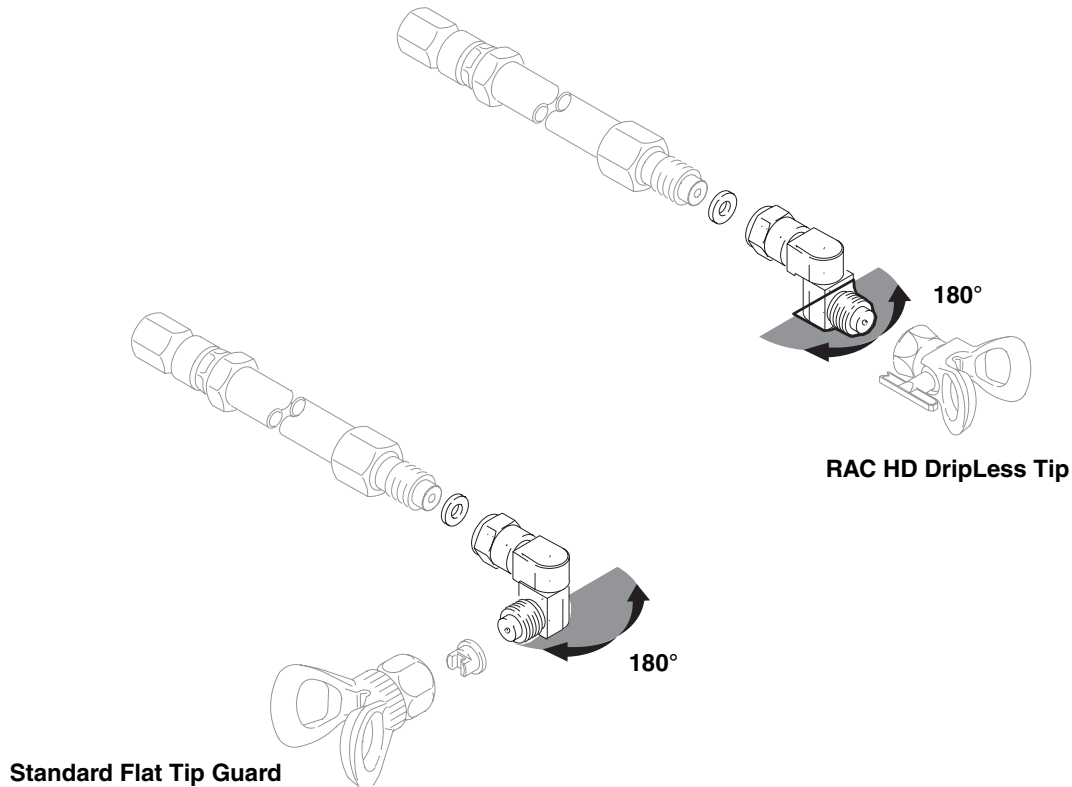
Pressure Relief Procedure

1. Shut off pump or sprayer and disconnect its power source.
2. Hold a metal part of the gun firmly to the side of a grounded metal pail, and trigger the gun into the pail to relieve pressure.
3. Engage the gun trigger lock.
4. Open the fluid pressure drain valve.
5. If you suspect that the spray tip or hose is completely clogged or that pressure has not been fully relieved, very slowly loosen the hose or nozzle to relieve pressure gradually, then loosen completely.

PROVEN QUALITY. LEADING TECHNOLOGY.

Installation

1. **Do not install a spray tip yet.** Install the adapter on the gun. Be sure gaskets are in place.
2. Flush and prime spray system.
3. Follow PRP in your pump or sprayer manual. If not available, follow PRP in this manual.
4. Install spray tip.
5. Turn adapter to any desired position within 180°. Do not use any tools.
6. Refer to your separate gun instruction manual for operating and tip cleaning instructions.



TI3439B

Technical Data

Maximum Working Pressure	7250 psi (50 MPa, 500 bar)
Fluid Inlet/Outlet	7/8-14 UNC
Wetted Parts	Stainless Steel, PTFE

All written and visual data contained in this document reflects the latest product information available at the time of publication. Graco reserves the right to make changes at any time without notice.

Sales Office: Minneapolis
International Offices: Belgium, Korea, Hong Kong, Japan
GRACO INC. P.O. BOX 1441 MINNEAPOLIS, MN 55440-1441
www.graco.com
 Printed in USA 309853B
 3/2004